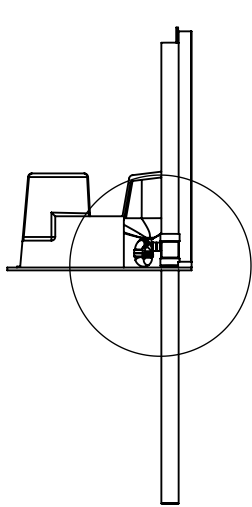
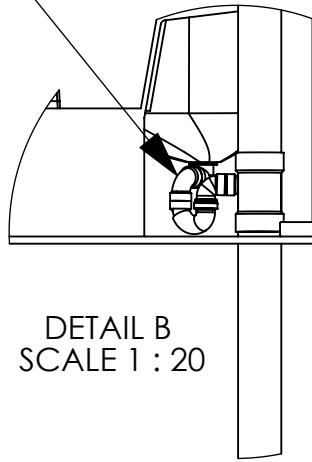


1 1/2 INCH P-TRAP

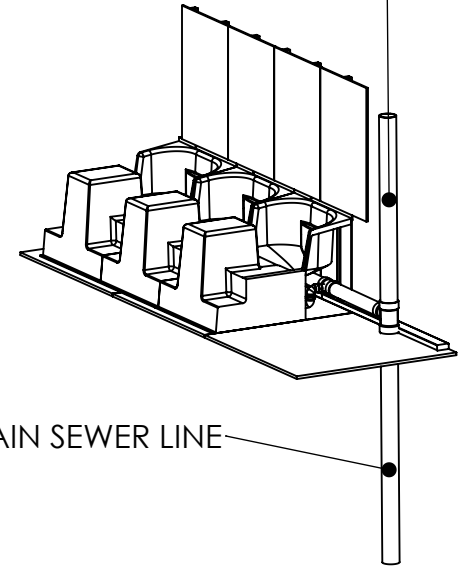


B

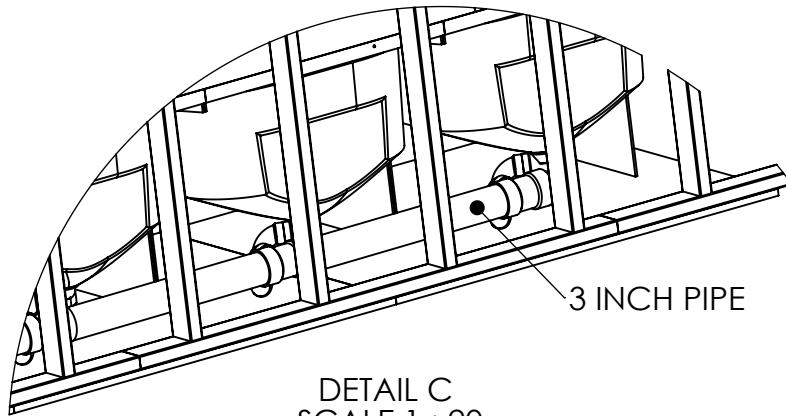


DETAIL B
SCALE 1 : 20

VENT TO ROOF, (4")

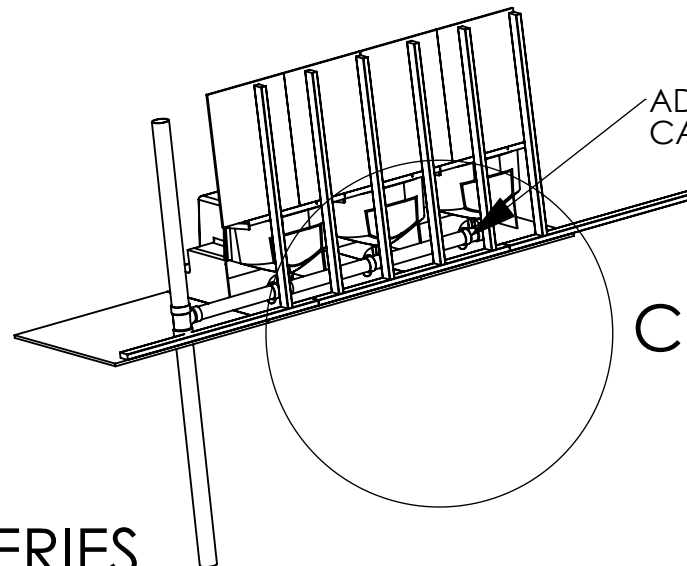


MAIN SEWER LINE



3 INCH PIPE

DETAIL C
SCALE 1 : 20



ADD CLEAN OUT
CAP

C

M 1000 IN SERIES

PLEASE NOTE: FOLLOW LOCAL BUILDING CODE.

TAHARA